

Standard Equipment/Optional Equipment

Standard Equipment

Long tiller with low mounting point	Automatic parking brake
End-of-stroke resistance	Polyurethane or synthetic cushion rubber drive wheel
Extral® motor and battery cover	Single polyurethane load wheel
Creep speed control	Fork length: 1150 mm
Safety lift system	Width over forks: 540 mm
OptiLift® proportional lift system	Storage compartment with clip (D08)
Hand protection at rear of mast (polycarbonate or mesh)	Multifunction display
Protection of lift cylinder	Key switch or LFM Go (PIN code access)
Pallet stop	Protection to -10°C
Maintenance-free AC motor	Vertical 2 PzS-B battery change for D06 (l2=709 mm)
Linde LAC controller	Vertical 2 PzS battery change for D08 (l2=764 mm)
CAN-bus architecture	Initial lift
Electromagnetic brake	Horn

Optional Equipment

Alternative drive wheels	Load backrest
Tandem load wheel	Linde Fleet Management (LFM)
Proportional Speed control	Cold store protection to -35°C
Vertical 2 PzS-B battery change (D08)	Automatic watering system
Different Standard masts with max. lift height 2024 mm	Built-in charger
Alternative fork length and width	High frequency charger

Other options available upon request



Pedestrian Double Stacker Capacity 600 kg - 800 kg D06, D08

Series 1160

Safety

The long tiller with a low mounting point ensures an adequate safety clearance between operator and chassis. Creep speed, Proportional speed and Safety lift functions provide optimum safety during transport and stacking in confined areas. Low chassis skirt protects operator's feet.

Performance

The D08 can take two pallets at once with a maximum total capacity of 1800 kg. The innovative castor wheels ensure an optimum mix of stability and traction in all situations. The OptiLift® mast control provides accurate, fully proportional lifting and assures quiet smooth operation.

Comfort

All controls on the ergonomic tiller head can be easily operated by either hand. A Creep speed button offers utmost manoeuvrability in confined areas. Generous storage compartments for work equipment such as shrink wrap eases the operator's tasks.

Reliability

A rugged construction makes the D08 a Double Stacker that can be relied on. The Extraal® motor cover as well as the robust chassis are remarkably solid and resistant to damage. The sturdy mast and the durable fork carriage are made of high-grade rolled steel contributing to a long truck life as well as fast, easy and safe load handling.

Service

The innovative Castor wheels require no adjustment. Furthermore, a maintenance-free AC motor reduces service costs. Parameters can be individually adjusted to the operator's need via CAN-bus system. The service engineer has fast, easy access not only to the truck data via CAN-bus system but also to all main internal components.

Features

Safety

- Safety lift ensures hazard-free lifting with tiller in upward position
- Proportional speed control varies truck speed automatically in relation to tiller angle for safe, comfortable and productive operation
- End-of-stroke resistance on tiller avoids accidental, abrupt braking
- Soft tiller fold-back slows down tiller when returning into upright position - avoiding tiller snapping on the motor cover
- Long tiller arm with low mounting point

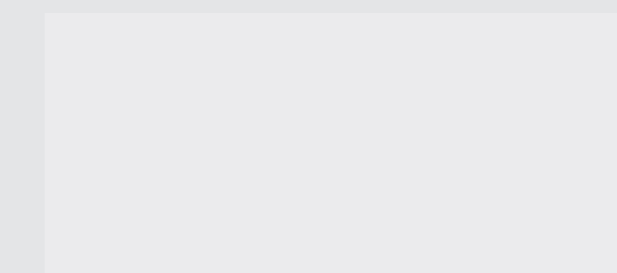
Handling

- Compact and robust chassis for easy handling in narrow spaces
- A Creep speed button ensures high manoeuvrability in confined areas when operating with tiller in upright position
- Long tiller arm reduces steering effort
- Pallet stop for fast stacking of two pallets



Batteries and chargers

- 2 PzS-B for utmost compactness (l2=709 mm) or 2 PzS with up to 250Ah, suitable for vertical battery change
- Easy and flexible battery charging - available with optional built-in charger suitable for any convenient electrical outlet



Braking

- Highly efficient mechanical brake when tiller is fully raised or lowered
- Automatic electric braking on releasing traction butterfly or reversing direction
- Truck slows down prior to stop - remaining under total control at all times
- No roll-back when starting on a slope



Controls

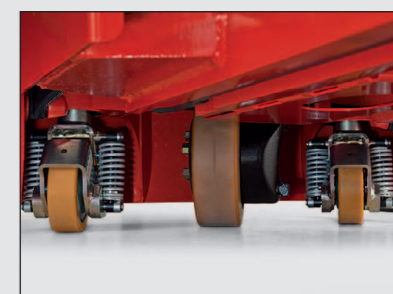
- Separate controls for initial lift and high lift
- OptiLift® proportional lifting controls
- Creep speed ensures high manoeuvrability in confined areas
- All controls are ergonomically integrated in tiller head

Lifting system

- OptiLift® mast control provides accurate, fully proportional lifting as well as smooth, quiet operation
- Soft landing of forks protects load when lowering
- Independent initial lift from main lift
- Max. lift height up to 2024 mm
- Max. load capacity in Double-Stacking use: 600 kg (D06) and 800 kg (D08) on mast arms/1000 kg on load arms

Motricity

- Compact, efficient and maintenance-free 1.2 kW AC motor
- Max. travel speed: 6 km/h (adjustable)
- Innovative castor wheel design offers maximum motricity and stability for demanding applications such as loading/unloading



Maintenance

- Adjustment-free castor wheels
- Maintenance-free, moisture and dust-proof AC motor
- CAN-bus architecture enables fast, easy access to all truck data and adjustment of truck parameters
- Fast and convenient access to main components via front service panel

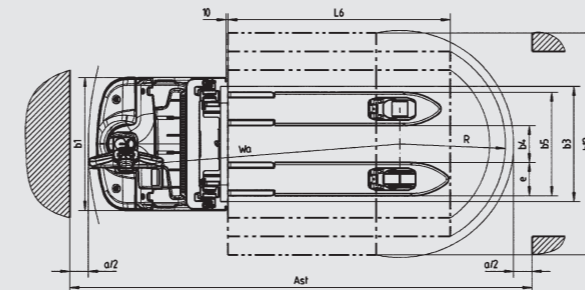
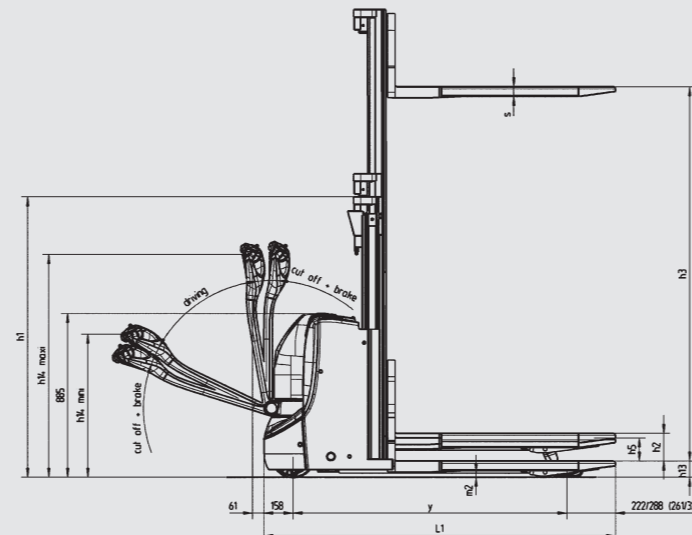
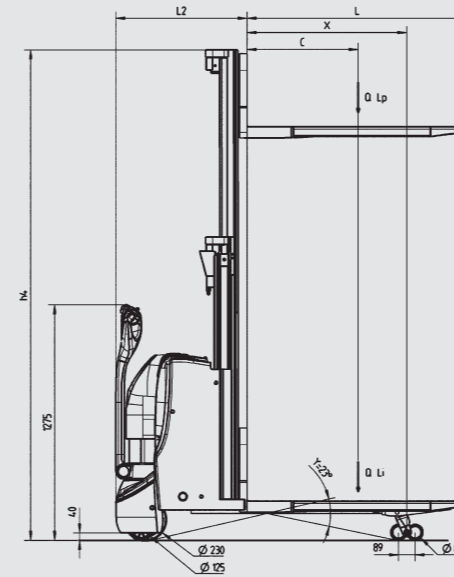


Technical Data according to VDI 2198

Characteristics	1.1	Manufacturer	LINDE	LINDE	
	1.2	Model designation	D06	D08	
	1.2a	Series	1160	1160	
	1.3	Power unit	Battery	Battery	
	1.4	Operation	Pedestrian	Pedestrian	
	1.5	Load capacity	Q (t)	0.6 / 1.6 ¹⁾	0.8 / 1.8 ²⁾
	1.6	Load centre	c (mm)	600	600
	1.8	Axle centre to fork face	x (mm)	862 / 928 ³⁾⁴⁾	858 / 924 ³⁾⁴⁾
	1.9	Wheelbase	y (mm)	1413 / 1479 ³⁾⁴⁾	1463 / 1529 ³⁾⁴⁾
Wheels/Tyres	2.1	Service weight	(kg)	830 ⁵⁾	922 ⁵⁾
	3.1	Tyres rubber, SE, pneumatic, polyurethane		Polyurethane	Polyurethane
	3.2	Tyre size, front		Ø 230 x 75	Ø 230 x 75
	3.3	Tyre size, rear		Ø 85 x 85 (Ø 85 x 60) ⁶⁾	Ø 85 x 85 (Ø 85 x 60) ⁶⁾
	3.4	Auxiliary wheels (dimensions)		2x Ø 125 x 40	2x Ø 125 x 40
	3.5	Wheels, number front/rear (x = driven)		1x + 2 / 2 (1x + 2 / 4) ⁶⁾	1x + 2 / 2 (1x + 2 / 4) ⁶⁾
Dimensions	3.6	Track width, front	b10 (mm)	482 ⁷⁾	482 ⁷⁾
	3.7	Track width, rear	b11 (mm)	360 / 380 ⁷⁾⁸⁾	360 / 380 ⁷⁾⁸⁾
	4.2	Height of mast, lowered	h1 (mm)	1515 ⁹⁾	1515 ⁹⁾
	4.3	Free lift	h2 (mm)	150 ⁹⁾	150 ⁹⁾
	4.4	Lift	h3 (mm)	2024 ⁹⁾	2024 ⁹⁾
	4.5	Height of mast, extended	h4 (mm)	2652 ⁹⁾	2652 ⁹⁾
	4.6	Initial lift	h5 (mm)	125	125
	4.9	Height of tiller arm in operating position, min/max	h14 (mm)	773 / 1204	773 / 1204
	4.10	Height of reach legs	h8 (mm)	52	52
	4.15	Height, lowered	h13 (mm)	86	86
	4.19	Overall length	l1 (mm)	1899 ⁹⁾	1954 ⁹⁾
	4.20	Length to fork face	l2 (mm)	709 ⁹⁾	764 ⁹⁾
	4.21	Overall width	b1/b2 (mm)	720 ⁹⁾	720 ⁹⁾
	4.22	Fork dimensions	s/e/l (mm)	60 x 180 x 1150	60 x 180 x 1150
	4.25	Fork spread, min/max	b5 (mm)	540 / 560 ⁹⁾	540 / 560 ⁹⁾
4.26	Width between reach legs	b4 (mm)	210 / 230	210 / 230	
4.32	Ground clearance, centre of wheelbase	m2 (mm)	20 / 145 ⁹⁾	20 / 145 ⁹⁾	
4.33	Aisle width with pallet 1000 x 1200 across forks	Ast (mm)	2104 ⁹⁾	2158 ⁹⁾	
4.34	Aisle width with pallet 800 x 1200 along forks	Ast (mm)	2154 ⁹⁾	2208 ⁹⁾	
4.35	Turning radius	Wa (mm)	1616 / 1682 ⁹⁾	1666 / 1732 ⁹⁾	
Performance	5.1	Travel speed, with/without load	(km/h)	6 / 6 ¹⁰⁾	6 / 6 ¹⁰⁾
	5.2	Lifting speed, with/without load	(m/s)	0.117 / 0.152 ⁹⁾	0.099 / 0.177 ⁹⁾
	5.3	Lowering speed, with/without load	(m/s)	0.238 / 0.199 ⁹⁾	0.226 / 0.108 ⁹⁾
	5.10	Service brake		Electro-magnetic	Electro-magnetic
Drive	6.1	Drive motor, 60 minute rating	(kW)	1.2	1.2
	6.2	Lift motor rating at S3 15%	(kW)	1.2	1.2
	6.3	Battery according to DIN 43531/35/36 A,B,C,no		No 2PzS-B	43 535 / B 2PzS
	6.4	Battery voltage/rated capacity (5h)	(V/Ah)	24 / 150	24 / 250
	6.5	Battery weight (± 5%)	(kg)	157	212

1) Load distribution e.g. 600 kg on the forks, 1000 kg on the fork arms. Total load max. 1600 kg.
 2) Load distribution e.g. 800 kg on the forks, 1000 kg on the fork arms. Total load max. 1800 kg.
 3) (± 5 mm)
 4) Forks upraised / lowered
 5) (± 10%)

6) Figures in parenthesis with tandem load wheels.
 7) Depending on the forks spread; see 4.25
 8) min./max.
 9) Including a 200 mm (min.) operating aisle clearance.
 10) (± 5%)



Masts (D06/D08) (in mm)		Standard mast	Standard mast	Standard mast
Lift	h3	1574	1724	2024
Lift + fork height	h3+h13	1660	1810	2110
Height lowered	h1#	1365	1440	1590
Height raised	h4	2202	2352	2652
Free lift	h2	150	150	150

